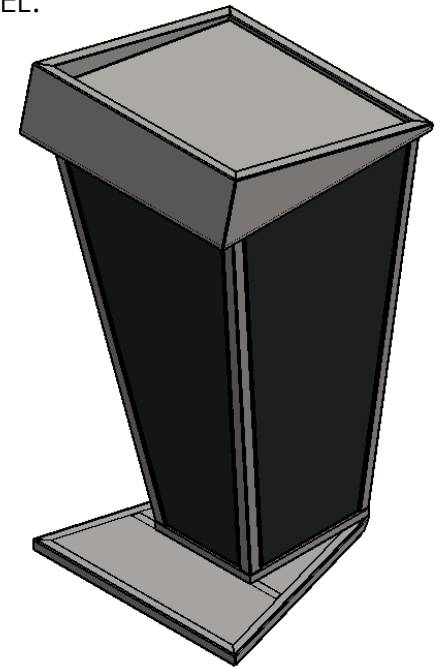
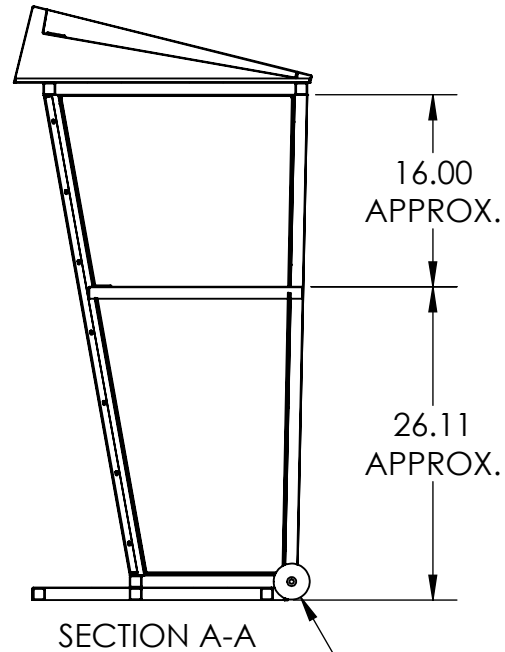
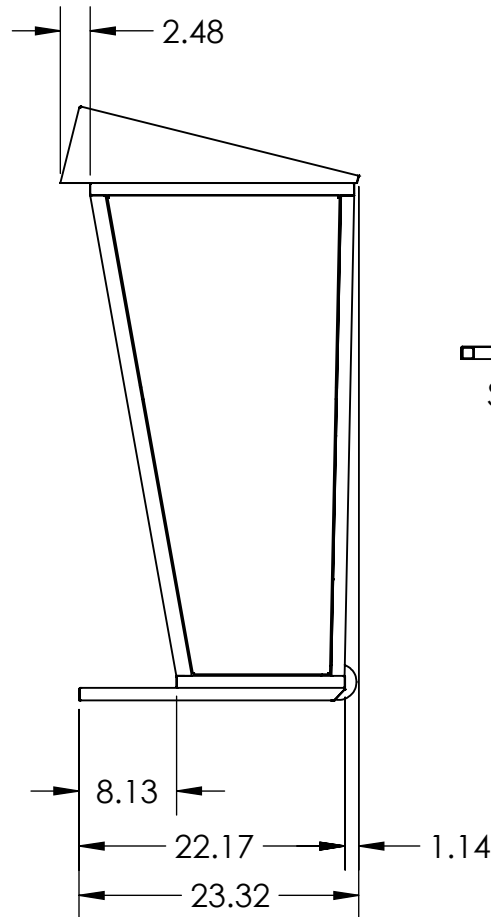
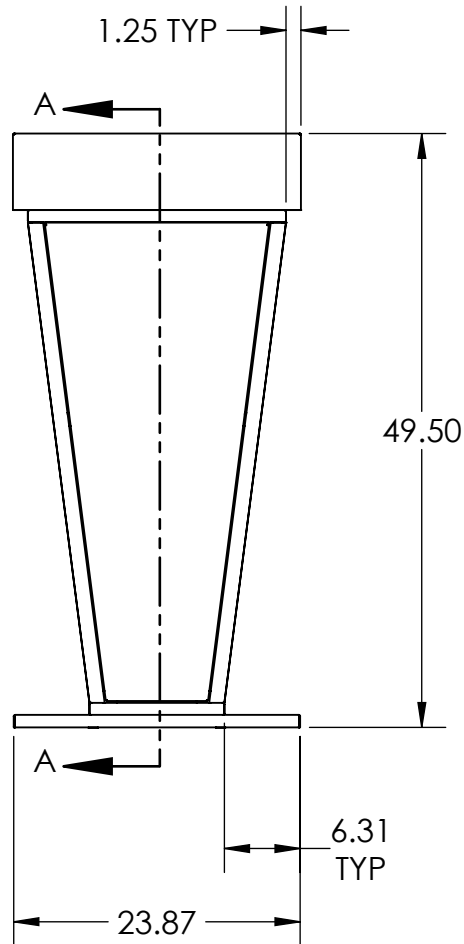


- NOTE:
1. FRAME IS STAINLESS STEEL.
  2. PANELS ARE POWDERCOATED MILD STEEL.



$\varnothing$  3.00 WHEEL IS SLIGHTLY ABOVE FLOOR. NO LOCK REQUIRED



j bar brand, llc  
315 CEDAR ST. N.  
CANNON FALLS, MN 55009

TITLE:  
**49.5" V PODIUM**

**PROPRIETARY AND CONFIDENTIAL**  
THE INFORMATION CONTAINED IN THIS DRAWING IS THE SOLE PROPERTY OF j bar brand, llc. ANY REPRODUCTION IN PART OR AS A WHOLE WITHOUT THE WRITTEN PERMISSION OF j bar brand, llc. IS PROHIBITED.

SIZE <b>A</b>	DWG. NO. <b>PD1006</b>	REV
------------------	---------------------------	-----

SCALE: 1:16	SHEET 1 OF 1
-------------	--------------