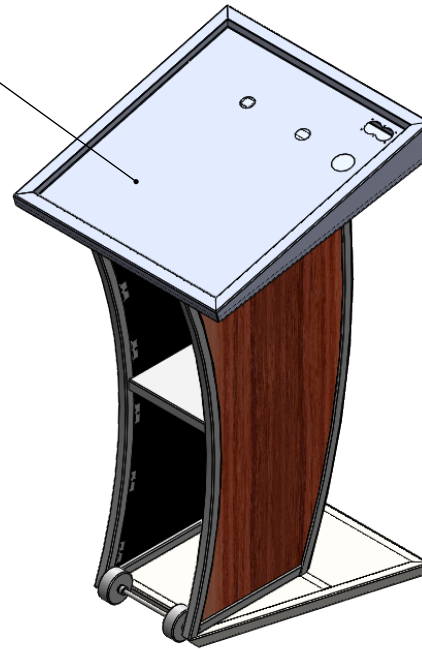
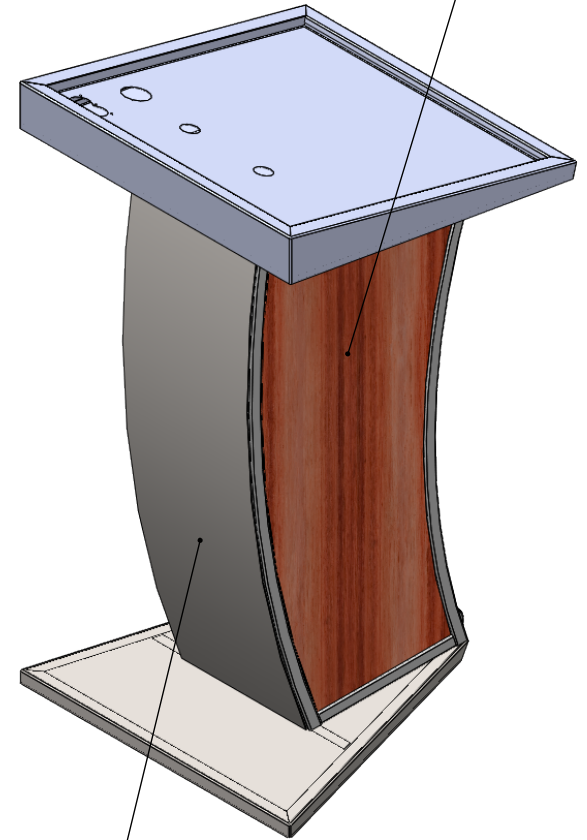


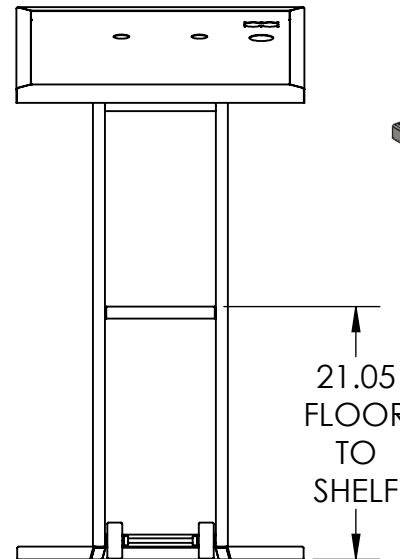
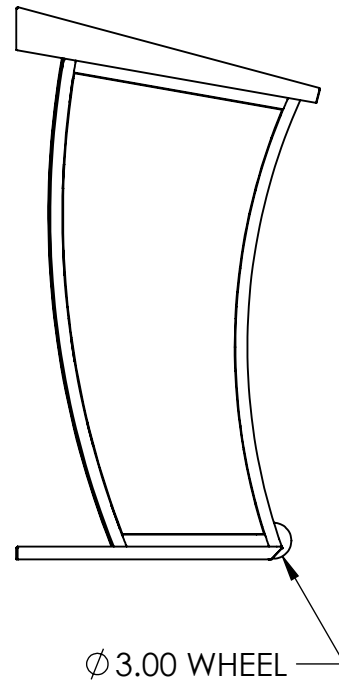
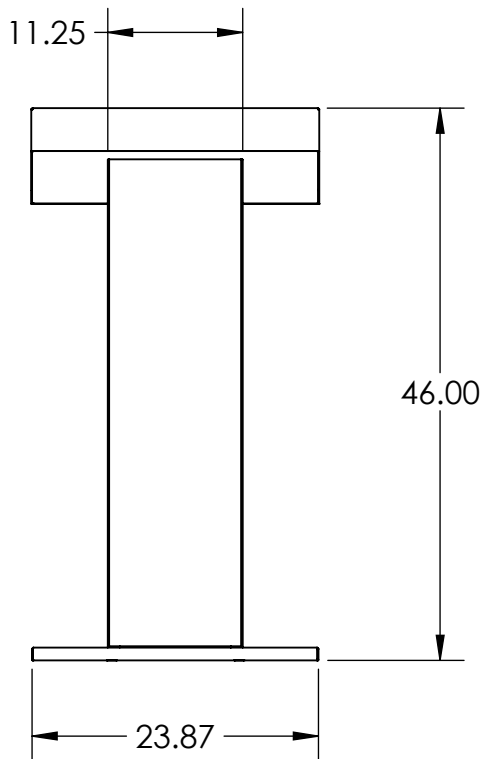
STAINLESS STEEL
FRAME AND TOP



LAMINATE SIDE PANELS



STAINLESS STEEL FRONT



PROPRIETARY AND CONFIDENTIAL

THE INFORMATION CONTAINED IN THIS DRAWING IS THE SOLE PROPERTY OF j bar brand, llc. ANY REPRODUCTION IN PART OR AS A WHOLE WITHOUT THE WRITTEN PERMISSION OF j bar brand, llc. IS PROHIBITED.



j bar brand, llc
315 CEDAR ST. N.
CANNON FALLS, MN 55009

TITLE:

SS PODIUM
CURVED WITH LAMINATE

SIZE
A

DWG. NO.
PD1007.SS

REV
H

SCALE: 1:16

SHEET 1 OF 1

63151A02