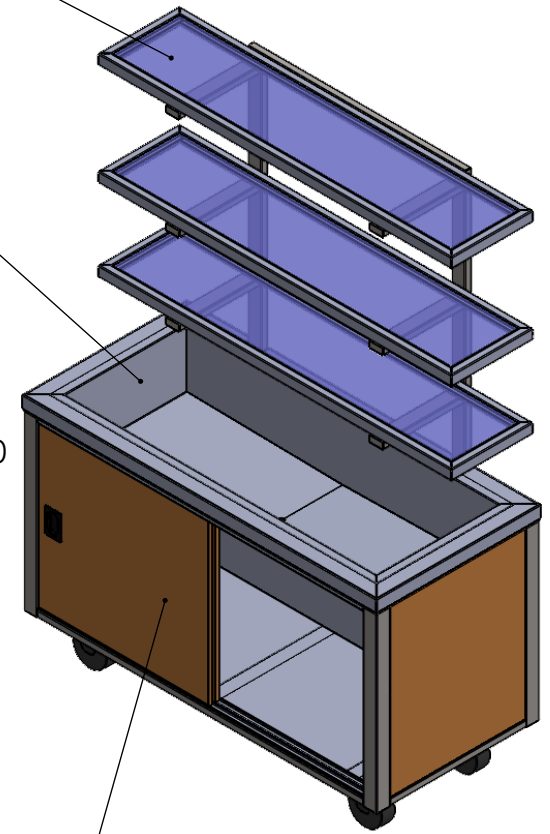


(3X) GLASS SHELF

STAINLESS STEEL SINK



(2X) DOOR
(SHOWN WITH
ONE DOOR OPEN)

PROPRIETARY AND CONFIDENTIAL

THE INFORMATION CONTAINED IN THIS DRAWING IS THE SOLE PROPERTY OF j bar brand, llc. ANY REPRODUCTION IN PART OR AS A WHOLE WITHOUT THE WRITTEN PERMISSION OF j bar brand, llc. IS PROHIBITED.



j bar brand, llc
315 CEDAR ST. N.
CANNON FALLS, MN 55009

TITLE:

BACK BAR
THREE SHELF ASSEMBLY

SIZE

A

DWG. NO.

BK3035

REV

SCALE: 1:20

SHEET 1 OF 1