

FRAME MADE UP OF 1.00" STAINLESS STEEL SQUARE TUBING.
STAINLESS STEEL SINK WITH DRAIN AND BALL VALVE.

PROPRIETARY AND CONFIDENTIAL
THE INFORMATION CONTAINED IN THIS
DRAWING IS THE SOLE PROPERTY OF
j bar brand, llc.
ANY REPRODUCTION IN PART OR AS A
WHOLE WITHOUT THE WRITTEN
PERMISSION OF j bar brand, llc. IS
PROHIBITED.

 **j bar brand, llc**
315 CEDAR ST. N.
CANNON FALLS, MN 55009

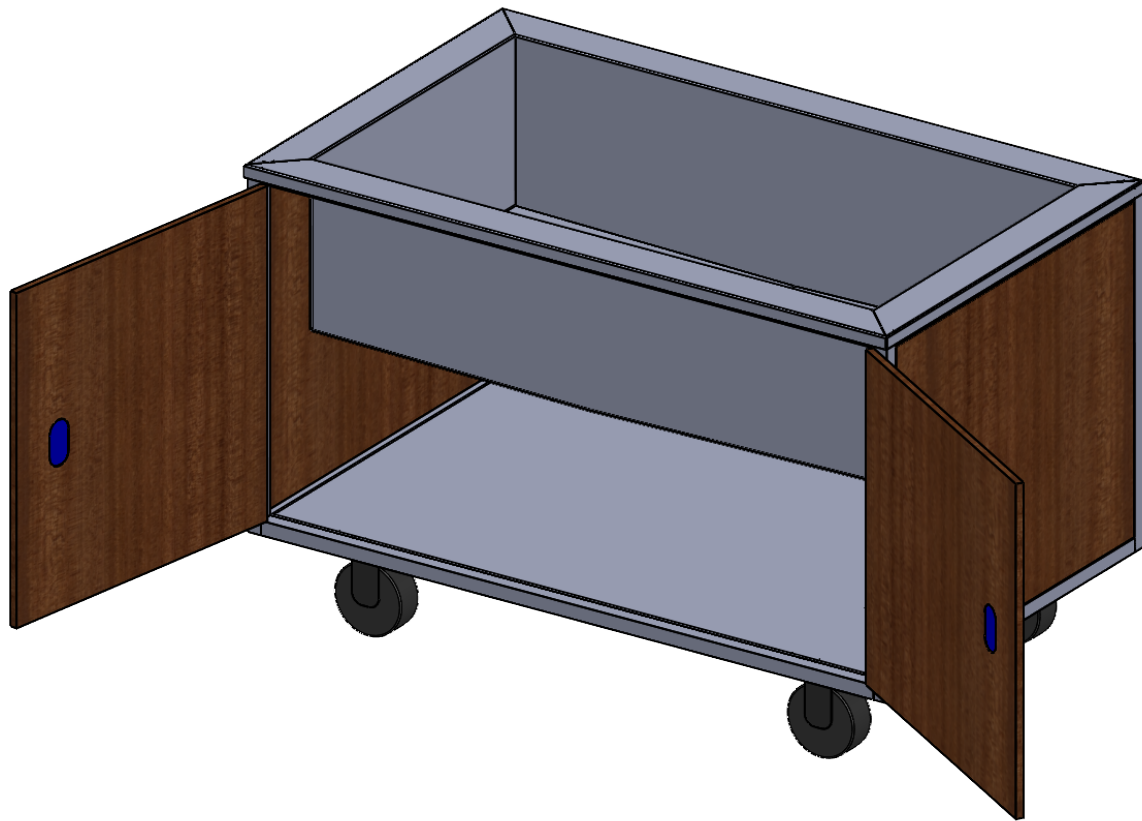
TITLE:

BEVERAGE CART

SIZE	DWG. NO.	REV
A		-

SCALE: 1:16

SHEET 1 OF 2



PROPRIETARY AND CONFIDENTIAL
 THE INFORMATION CONTAINED IN THIS
 DRAWING IS THE SOLE PROPERTY OF
 j bar brand, llc.
 ANY REPRODUCTION IN PART OR AS A
 WHOLE WITHOUT THE WRITTEN
 PERMISSION OF j bar brand, llc. IS
 PROHIBITED.

 j bar brand, llc
 315 CEDAR ST. N.
 CANNON FALLS, MN 55009

TITLE:
BEVERAGE CART
 DOORS OPEN

SIZE	DWG. NO.	REV
A		
SCALE: 1:24		SHEET 2 OF 2