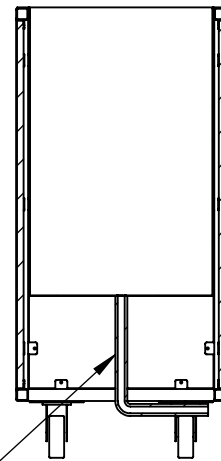
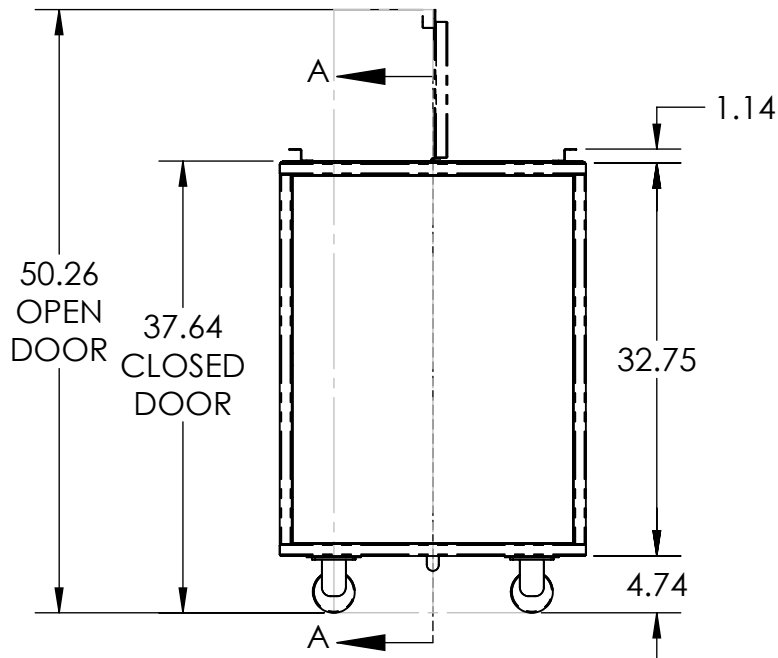
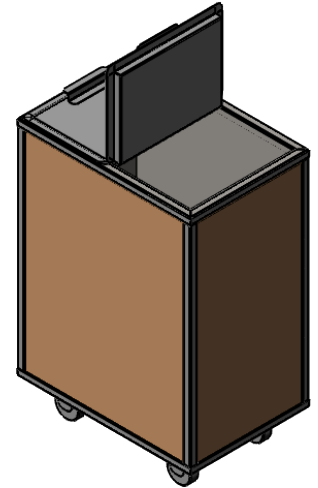
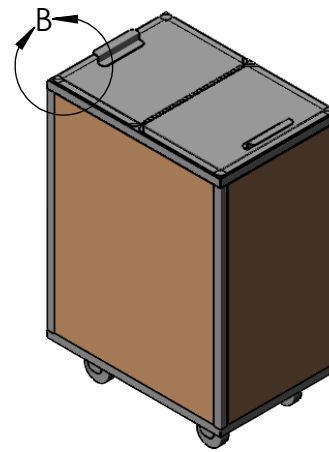
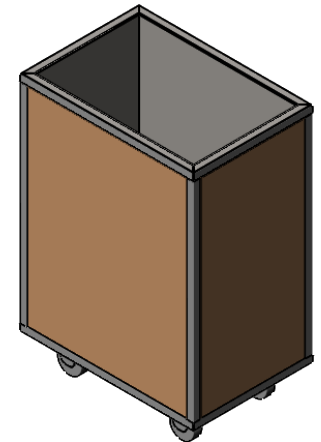
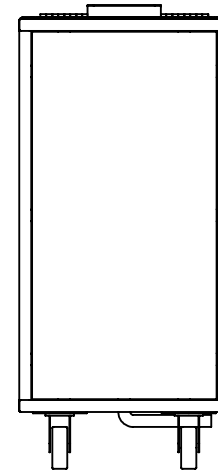
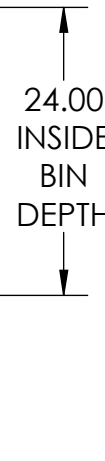


DETAIL B
SCALE 1 : 8



SECTION A-A
(DOOR NOT SHOWN)

DRAIN PIPE W/ BALL VALVE



j bar brand, llc
315 CEDAR ST. N.
CANNON FALLS, MN 55009

TITLE:
ICE RESTOCKING BIN
ASSEMBLY

PROPRIETARY AND CONFIDENTIAL
THE INFORMATION CONTAINED IN THIS
DRAWING IS THE SOLE PROPERTY OF
j bar brand, llc.
ANY REPRODUCTION IN PART OR AS A
WHOLE WITHOUT THE WRITTEN
PERMISSION OF j bar brand, llc. IS
PROHIBITED.

SIZE A	DWG. NO. IC1014	REV A
------------------	---------------------------	-----------------

SCALE: 1:16

SHEET 1 OF 1